

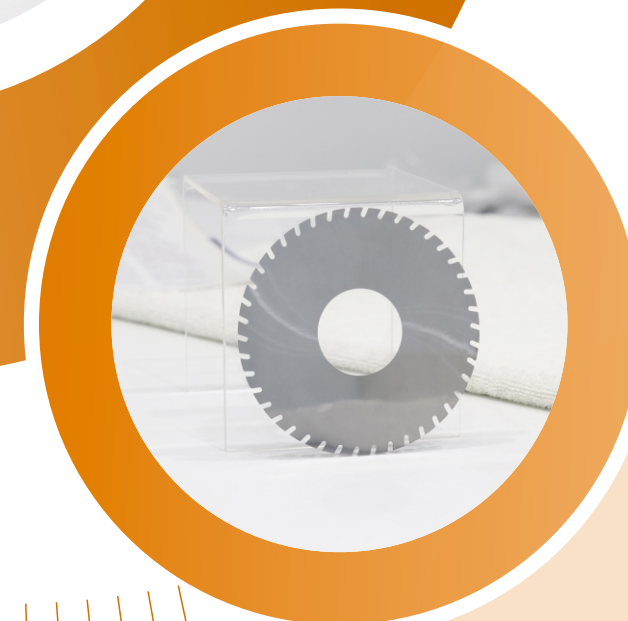
PASSION

CHENGDU PASSION PRECISION TOOL CO.,LTD.



**CHENGDU
PASSION**

PRECISION TOOL CO., LTD.



Chengdu Passion Precision Tool Co., Ltd

Tel:+86-28-84977620

Fax:+86-28- 84940818

Mobile:+86 18628036099(Lesley Chen)/ +86 13880388664(Anne Zeng)

Web:www.passioncd.com

Add:No.66, CuiLong Street, Longquanyi District, Chengdu City,
Sichuan Province, China.

Post Code: 610000

E-mail address:lesley@passiontool.com/anne@passiontool.com


CHENGDU PASSION PRECISION TOOL CO.,LTD.

COMPANY PROFILE

Chengdu Passion is a comprehensive enterprise specialized in designing, manufacturing and selling all kinds of industrial and mechanical blades, knives and cutting tools for over twenty years. The factory is located in panda's hometown Chengdu City, Sichuan Province. "Passion" knives and blades are widely used in chemical fiber, tobacco, glass fiber, textile, lithium battery, leatherware, printing, packaging, paper making, wood working, metal slitting industries, and etc. To win the trust of customers with quality products and excellent services is our basic business concept and everlasting goal.



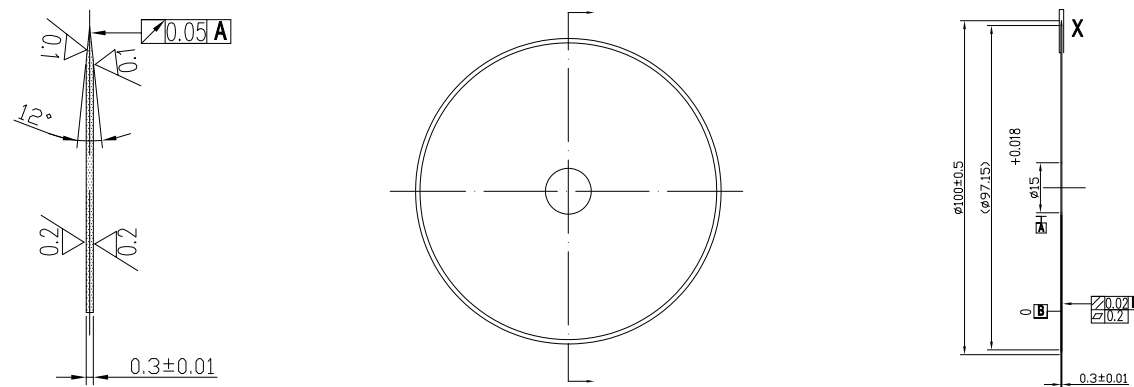
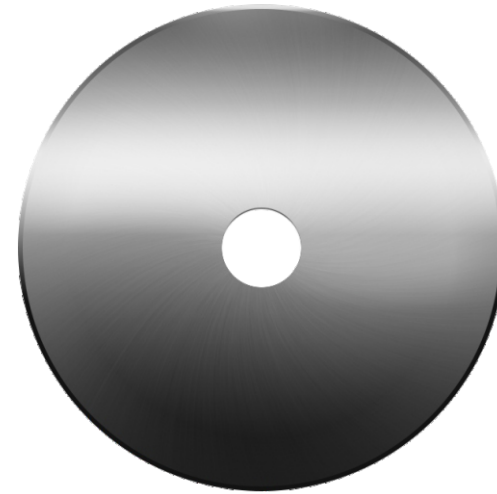
CONTENT



01/02	KNIVES FOR CIGARETTE MAKING INDUSTRY knives for cigarette making industry	15/16	BLADES FOR LITHIUM INDUSTRY Slitter blades for lithium battery electrode sheet electric capacitance special knives
03/04	SLITTING KNIVES FOR CORRUGATED PAPERBOARD INDUSTRY For low medium speed machine(Chinese Machine) For high speed machine(foreign machine)	17/18	KNIVES FOR METAL SLITTING Knives for metal slitting
05/06	KNIVES FOR DISPOSABLE PAPER INDUSTRY Rewinder bottom slitter	19/20	THIN BLADES FOR CHEMICAL FIBER INDUSTRY Thin blades for chemical Fiber industry
07/08	KNIVES FOR DISPOSABLE PAPER INDUSTRY Circular slitting blades for paper tube	21/22	BLADES FOR CARVING Special carving blades for Esko
09/10	KNIVES FOR DISPOSABLE PAPER INDUSTRY Long knives for wet tissue	23/24	SPECIAL CIRCULAR KNIVES FOR GUMMED TAPE SLITTING Special circular knives for gummed tape slitting
11/12	BLADES FOR PACKING AND PRINTING INDUSTRY Tungsten carbide inserts for book binding	25/26	CIRCULAR KNIVES FOR OTHER INDUSTRIES Circular knives for other industries
13/14	BLADES FOR PACKING AND PRINTING INDUSTRY Tungsten carbide milling(saw) blades with teeth for paper processing	27/28	ZUND BLADE Zund blade

THE KNIVES FOR CIGARETTE MAKING INDUSTRY

Our tungsten carbide knives for cigarette making industry are used for cutting tobacco, cigarette filter and cigar. Our knives can meet the tolerance requirements of the cigarette making machines, like protos, passim, Hauni and etc. With high hardness and smooth and sharp cutting edge, the knives always cut tobacco, cigarette filter and cigar without any collapse.



Dimension(mm)	ID(mm)	OD(mm)	Thickness(mm)	Knife Edge
Φ60*Φ19*0.27	Φ19	Φ60	0.27	Single/double side
Φ61*Φ19.05*0.3	Φ19.05	Φ61	0.3	
Φ63*Φ19.05*0.254	Φ19.05	Φ63	0.254	
Φ63*Φ15*0.3	Φ15	Φ63	0.3	
Φ64*Φ19.5*0.3	Φ19.5	Φ64	0.3	
Φ85*Φ16*0.25	Φ16	Φ85	0.25	
Φ89*Φ15*0.38	Φ15	Φ89	0.38	
Φ100*Φ15*0.35	Φ15	Φ100	0.35	
Φ100*Φ16*0.3	Φ16	Φ100	0.3	
Φ100*Φ16*0.2	Φ16	Φ100	0.2	
Φ100*Φ15*0.2	Φ15	Φ100	0.2	
Φ110*Φ22*0.5	Φ22	Φ110	0.5	
Φ140*Φ46*0.5	Φ46	Φ140	0.5	

Materials: Tungsten Carbide or customization Materials.

Application: For cigarette making industry, for cutting tobacco, paper cutting, film, foam, rubber, foil, graphite and so on.

NOTE: Customization available per customer drawing or actual sample

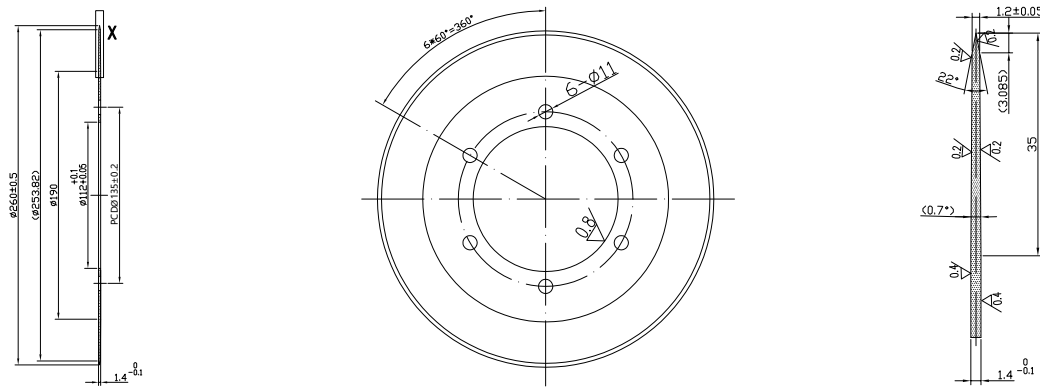
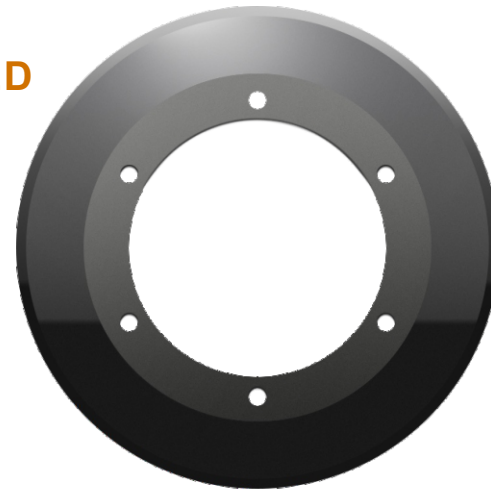


SLITTING KNIVES FOR CORRUGATED PAPERBOARD INDUSTRY

For high speed machine(foreign machine)
For low medium speed machine(Chinese Machine)

Our tungsten carbide slitting knives for corrugated paperboard industry are used for slitting corrugated paperboard in the popular Chinese and foreign machines or production lines.

Our Corrugated paperboard slitting machine falls into 2 types: Low-medium speed machine (Chinesemachine)and High speed machine(foreign machine).



Dimension(mm)	ID(mm)	OD(mm)	Thickness(mm)	Machine Brand
Φ270*Φ168.3*1.4	Φ168.3	Φ270	1.2	Hsieh
Φ260*Φ158*1.3	Φ158	Φ260	1.3	Justu
Φ260*Φ114*1.4	Φ114	Φ260	1.4	Wanlian
Φ260*Φ112*1.4	Φ112	Φ260	1.4	Wanlian
Φ250*Φ130*1.3	Φ130	Φ250	1.3	Kaituo
Φ250*Φ105*1.3	Φ105	Φ250	1.3	Jingshan
Φ230*Φ130*1.3	Φ130	Φ230	1.3	Neide
Φ265*Φ112*1.4	Φ112	Φ265	1.4	Oranda
Φ260*Φ112*1.4	Φ112	Φ260	1.4	Oranda
Φ260*Φ168.27*1.2	Φ168.27	Φ260	1.2	Hooper/Simon
Φ250*Φ150*0.8	Φ150	Φ250	0.8	Peters
Φ244*Φ222*1.0	Φ222	Φ244	1.0	Hooper
Φ240*Φ32*1.2	Φ32	Φ240	1.2	BHS

Knife edge type: Single or double side available.

Materials: Tungsten Carbide or customization Materials.

Application: For corrugated paperboard industry, for cutting tobacco, paper cutting, film, foam, rubber, foil, graphite and so on.

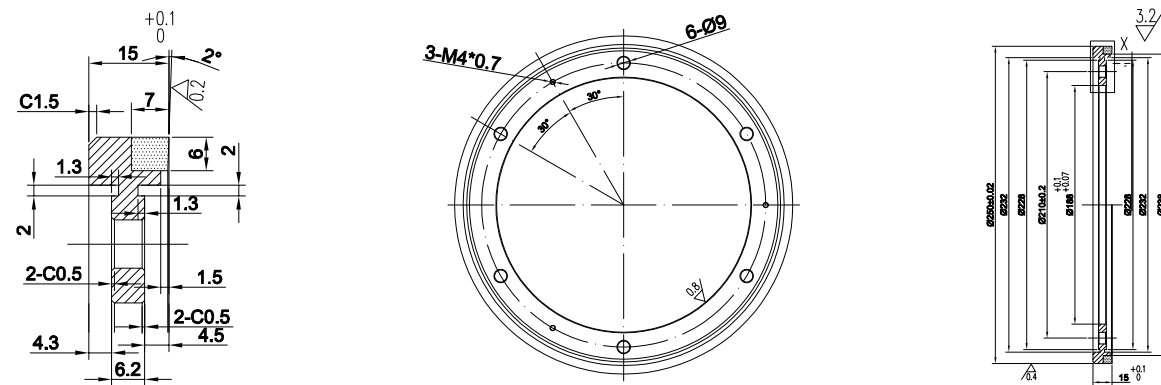
NOTE: Customization available per customer drawing or actual sample



KNIVES FOR DISPOSABLE PAPER INDUSTRY

Rewinder bottom splitter

Our tungsten carbide knives for disposable paper industry are used for trimming ground paper and cutting toilet paper, wet tissue, paper tubes, etc. Our Bottom knives for rewinding machines are steel bodies inlaid with single or double sided tungsten carbide rings.our Rewinder bottom splitter features high wear resistance, long working life and high strength.



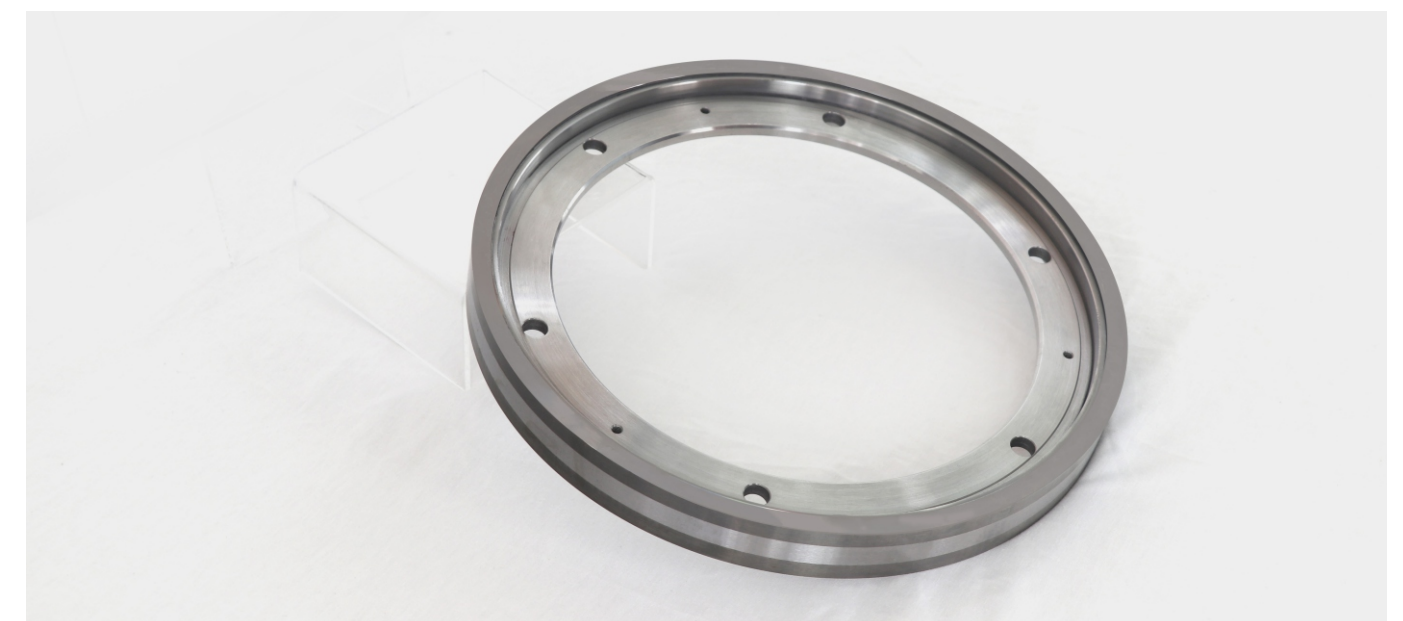
Dimension(mm)	OD(mm)	ID(mm)	Thickness(mm)	Material
Φ250*Φ200*38	Φ250	Φ200	38	Inlaid TC ring
Φ250*Φ200*20	Φ250	Φ200	20	Inlaid TC ring
Φ250*Φ188*25	Φ250	Φ188	25	Inlaid TC ring
Φ250*Φ188*20	Φ250	Φ188	20	Inlaid TC ring
Φ250*Φ188*15	Φ250	Φ188	15	Inlaid TC ring
Φ250*Φ180*25	Φ250	Φ180	25	Inlaid TC ring
Φ250*Φ180*15	Φ250	Φ180	15	Inlaid TC ring
Φ250*Φ140*20	Φ250	Φ140	20	Inlaid TC ring
Φ250*Φ180*15	Φ250	Φ180	15	Inlaid TC ring
Φ250*Φ138*15	Φ250	Φ138	15	Inlaid TC ring
Φ240*Φ188*30	Φ240	Φ188	30	Inlaid TC ring
Φ210*Φ188*50	Φ210	Φ188	50	Inlaid TC ring
Φ210*Φ180*25	Φ210	Φ180	25	Inlaid TC ring

Knife edge type: Single or double side available.

Materials: Tungsten Carbide or customization Materials.

Application: For cutting paper cutting, film, foam, disposable paper, baby diaper, adult diaper, paper tube and so on.

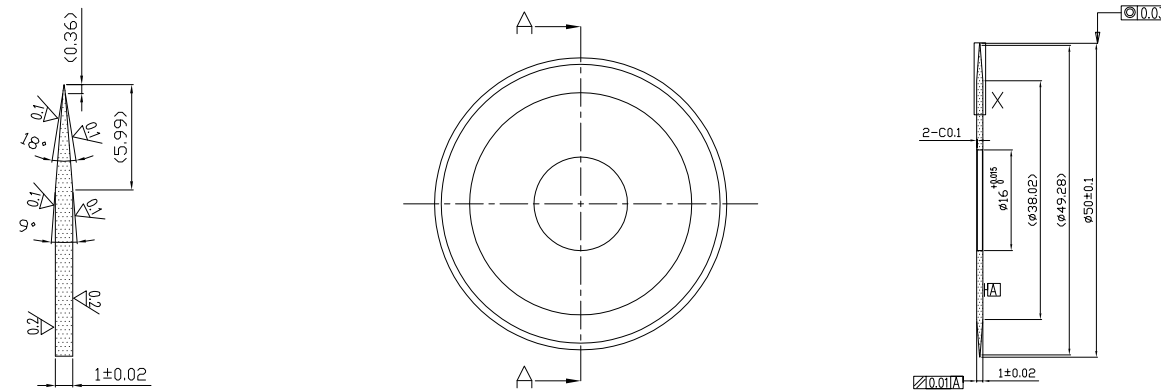
NOTE: Customization available per customer drawing or actual sample



CIRCULAR SLITTING BLADES FOR PAPER TUBE



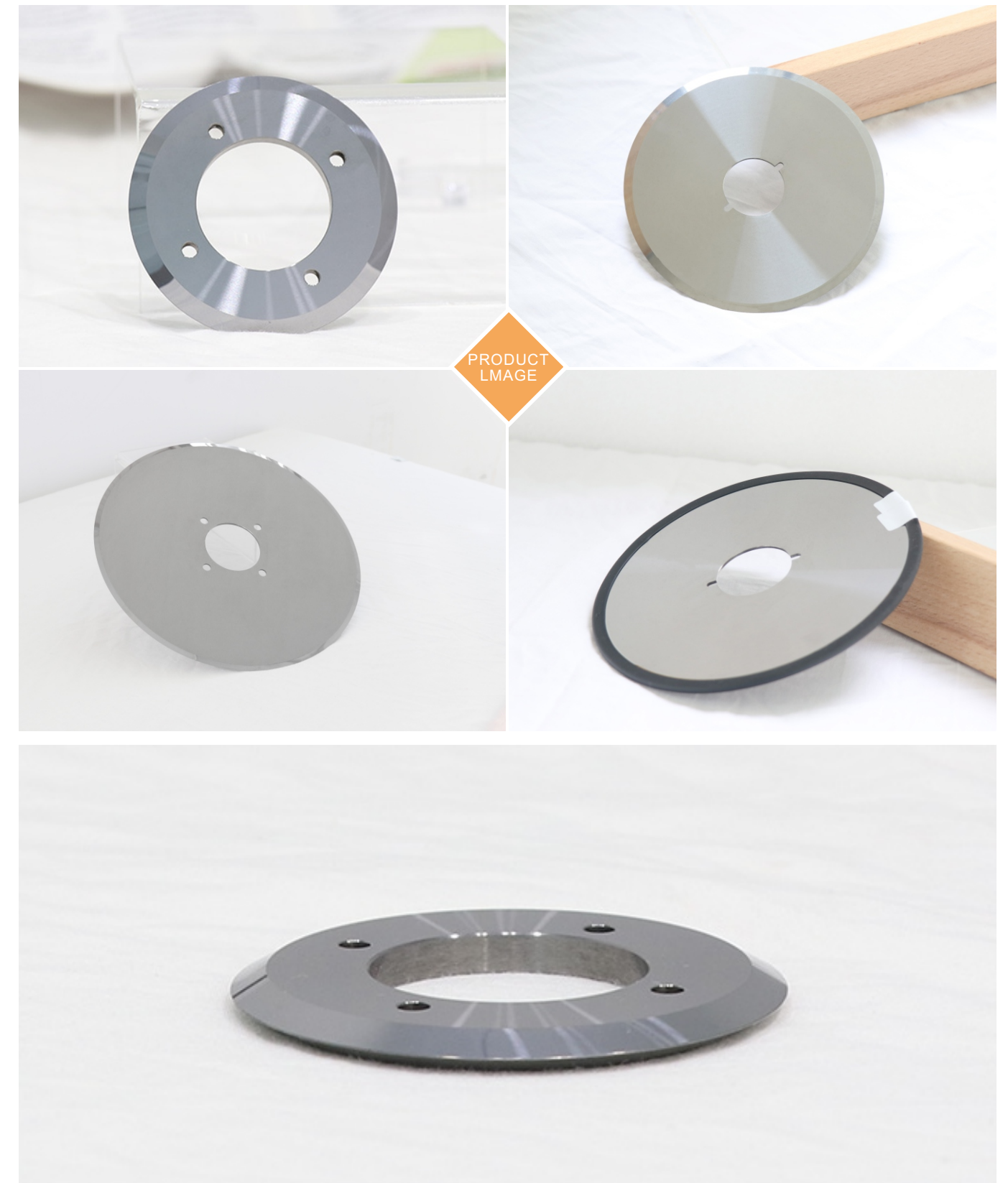
Our tungsten carbide knives for disposable paper industry are used for trimming ground paper and cutting toilet paper, wet tissue, paper tubes, etc.



Dimension(mm)	OD(mm)	ID(mm)	Thickness(mm)	Knives edge
Φ50*Φ16*1	Φ50	Φ16	1	Single or double edges
Φ76*Φ25.4*1.1/1.2	Φ76	Φ25.4	1.1/1.2	
Φ80*Φ25.4*1.1/1.2	Φ80	Φ25.4	1.1/1.2	
Φ90*Φ25.4*1.1/1.2	Φ90	Φ25.4	1.1/1.2	
Φ100*Φ25.4*1.1~1.5	Φ100	Φ25.4	1.1~1.5	
Φ110*Φ25.4*1.1~2	Φ110	Φ25.4	1.1~2	
Φ120*Φ25.4*2	Φ120	Φ25.4	2	
Φ130*Φ25.4*2	Φ130	Φ25.4	2	

Knife edge type: Single or double side available.
Materials: Tungsten Carbide or customization Materials.
Application: For cutting paper tube, disposable paper and so on.

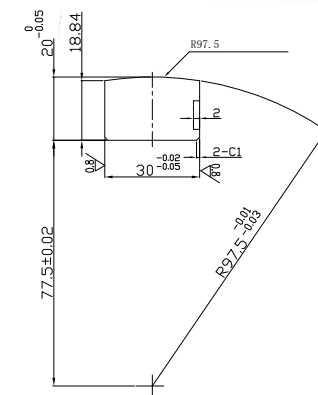
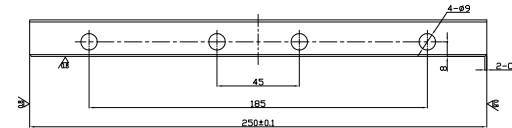
NOTE: Customization available per customer drawing or actual sample



KNIVES FOR DISPOSABLE PAPER INDUSTRY

Long knives for wet tissue

Our tungsten carbide long knives for wet tissues are made of special carbide materials grade. So the knives have high inoxidizability and wear resistance.



Dimension(mm)	Length(mm)	Width(mm)	Height(mm)	Refer Picture
130*20*8	130	20	8	TCY
120*37*5	120	37	5	FOSBER
250*25*20	250	25	20	Mitsubishi
250*30*20	250	30	20	Mitsubishi
300*25*20	300	25	20	K&M
300*30*20	300	30	20	Marquip

Knife edge type: Single or double side available.
Materials: Tungsten Carbide or customization Materials.
Application: For cutting different wet tissues and papers.

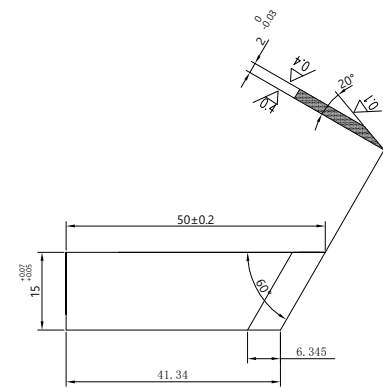
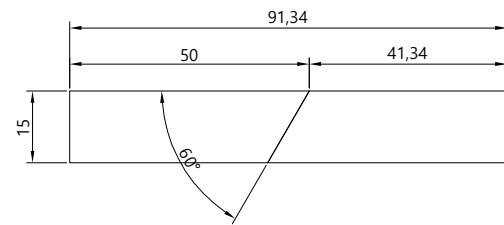
NOTE: Customization available per customer drawing or actual sample



BLADES FOR PACKING AND PRINTING INDUSTRY

The Tungsten carbide inserts for book binding

The knife is made of tungsten carbide materials, but other materials are available. Such as HSS, 9CrSi, Cr12Mo, VW6Mo5, Cr4V2, hard alloy, etc
Hardness guarantee: The raw materials are heat treated, vacuum treated, and the hardness is higher. Heat treatment in your own factory to ensure product stability.



No.	Dimension(mm)	No.	Dimension(mm)	Knives Edge	Material
1	72*14*4	10	50*16*2	1. Single edge 2. Double edge 3. Custom edge	Tungsten Carbide
2	72*14*9	11	50*15*2		Tungsten Carbide
3	65*18*15	12	50*15*1.6		Tungsten Carbide
4	63*14*4	13	50*12*2		Tungsten Carbide
5	55*18*5	14	45*15*3		Tungsten Carbide
6	50*15*3	15	38*15*3		Tungsten Carbide
7	50*14.5*4	16	32*14*3.7		Tungsten Carbide
8	50*14*3.5	17	21.2*18*2.8		Tungsten Carbide
9	60*15*2	18	20.8*8*5		Tungsten Carbide

Knife edge type: Single or double side available.

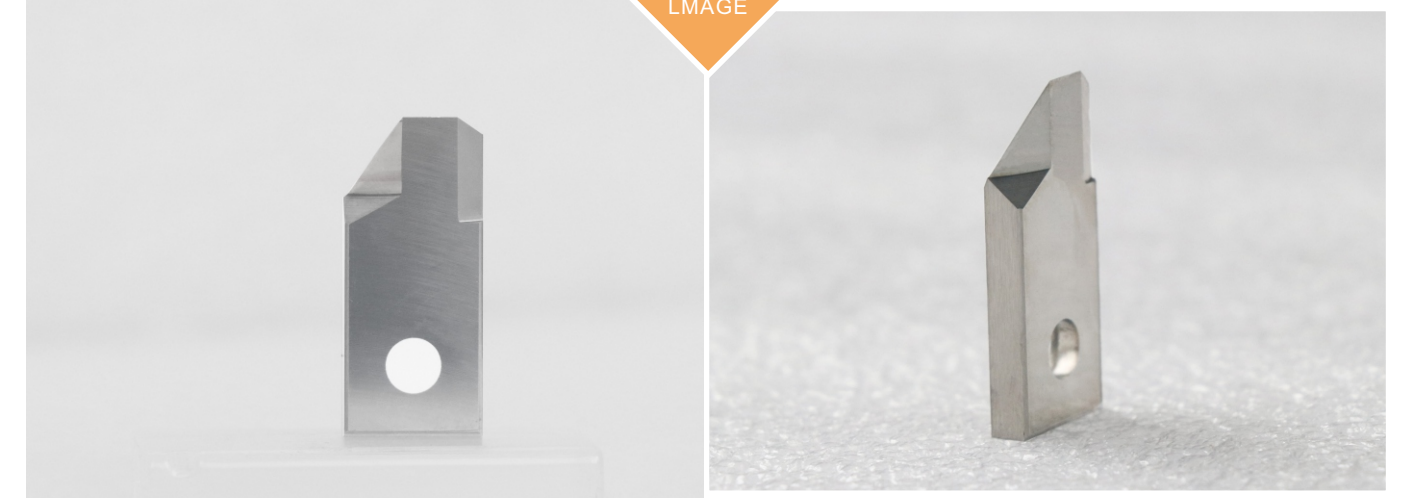
Materials: Tungsten Carbide or customization Materials.

Application: For cutting different packing materials, such as plastic bag, paper bag, paper carton, fiber and so on.

NOTE: Customization available per customer drawing or actual sample



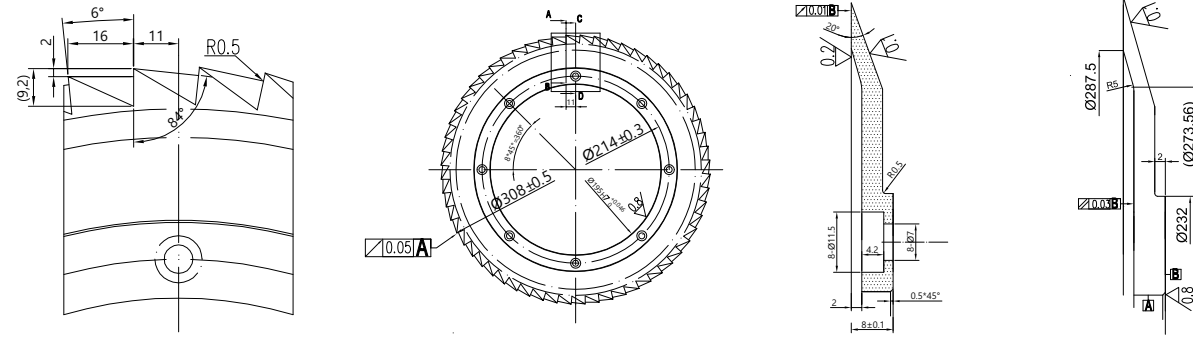
PRODUCT
LMAGE



SLITTING KNIVES FOR CORRUGATED PAPERBOARD INDUSTRY

The Tungsten carbide milling(saw) blades with teeth for paper processing.

Sharp edge: The knife edge is sharp, smooth, sharp and durable, imported precision processing equipment can process a variety of non-standard products to ensure the precision of the products.
Durable: Double-sided blade, low friction coefficient and long service life, each blade detects inbound shipments, ensuring quality without worry.



Dimension(mm)	OD(mm)	ID(mm)	Thickness(mm)	Knives edge
Φ308*Φ225*8	308	225	8	1. Single edge 2. Double edge 3. Custom edge
Φ308*Φ195*8	308	195	8	
Φ150*Φ32*0.7	150	32	0.7	
Φ125*Φ40*0.5	125	40	0.5	
Φ85*Φ35*0.7	85	35	0.7	
Φ35*Φ18*1	35	18	1	

Knife edge type: Single or double side available.

Materials: Tungsten Carbide or customization Materials.

Application: For cutting different papers, wooden, freezing food meat, iron tube and so on.

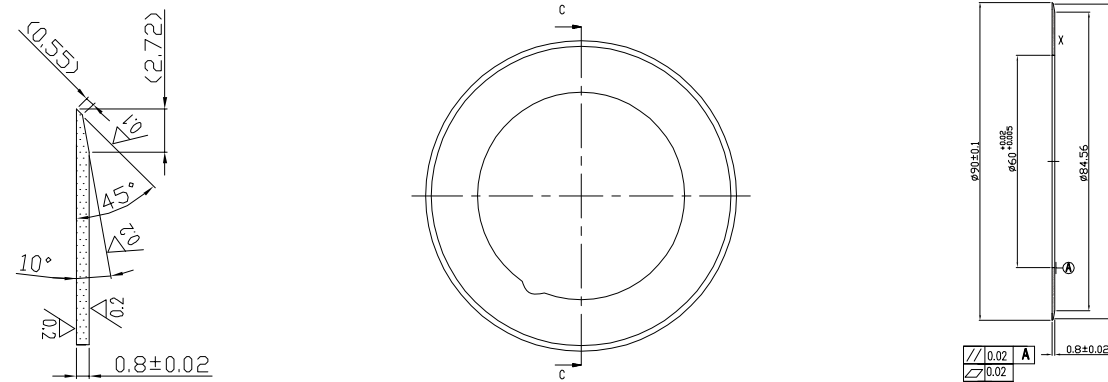
NOTE: Customization available per customer drawing or actual sample



BLADES FOR LITHIUM INDUSTRY

Slitter blades for lithium battery electrode sheet Capacitance special knives

The knife is made of tungsten carbide materials, but other materials are available. Such as HSS, 9CrSi, Cr12Mo, VW6Mo5, Cr4V2, hard alloy, etc
Hardness guarantee: The raw materials are heat treated, vacuum treated, and the hardness is higher. Heat treatment in your own factory to ensure product stability.



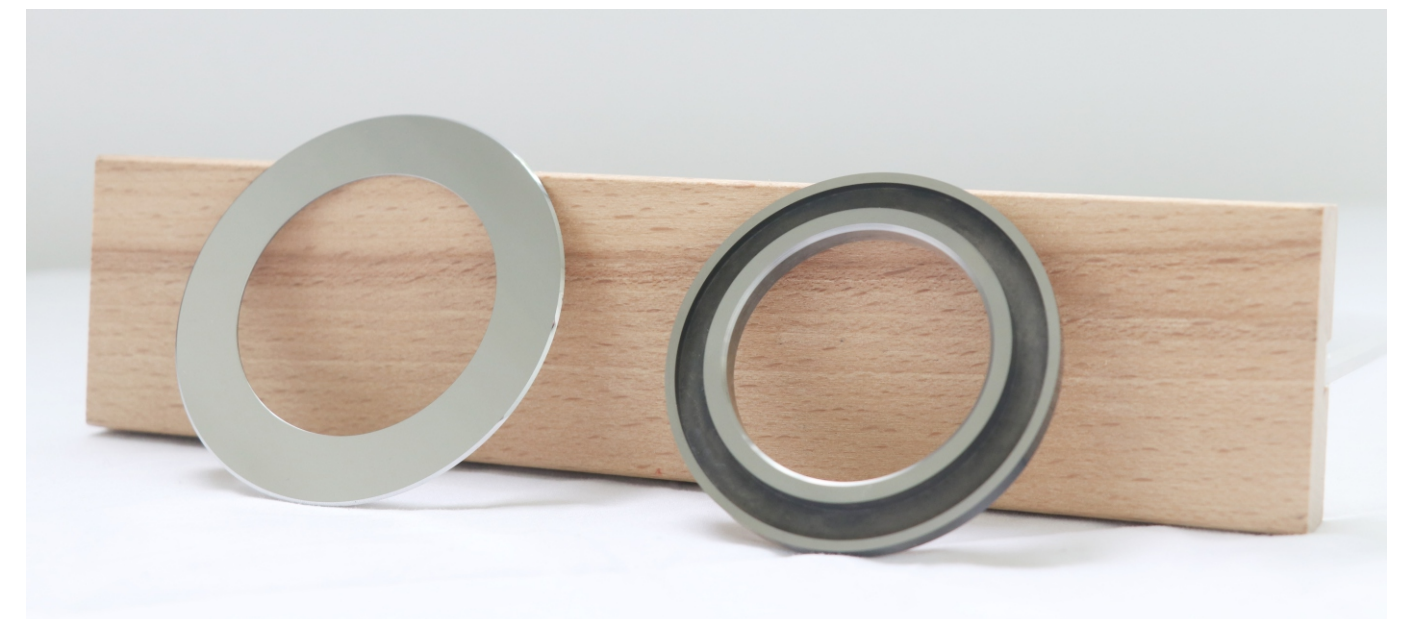
No.	Dimension(mm)	No.	Dimension(mm)	Knives Edge	Material
1	Φ90*Φ60*0.8	11	Φ90*Φ60*0.2	1. Single edge 2. Double edge 3. Custom edge	Tungsten Carbide
2	Φ100*Φ65*0.7	12	Φ100*Φ65*2		Tungsten Carbide
3	Φ100*Φ65*1	13	Φ100*Φ65*3		Tungsten Carbide
4	Φ105*Φ70*1.2	14	Φ70*Φ45*5		Tungsten Carbide
5	Φ110.2*Φ90*1	15	Φ110*Φ75*3		Tungsten Carbide
6	Φ110*Φ90*1	16	Φ110*Φ90*3		Tungsten Carbide
7	Φ130*Φ88*1	17	Φ130*Φ70*3/5		Tungsten Carbide
8	Φ130*Φ97*0.8/0.3	18	Φ130*Φ95*4		Tungsten Carbide
9	Φ130*Φ97*1	19	Φ130*Φ95*5		Tungsten Carbide
10	Φ68*Φ46*0.5	20	Φ60*Φ40*5		Tungsten Carbide

Knife edge type: Single or double side available.

Materials: Tungsten Carbide or customization Materials.

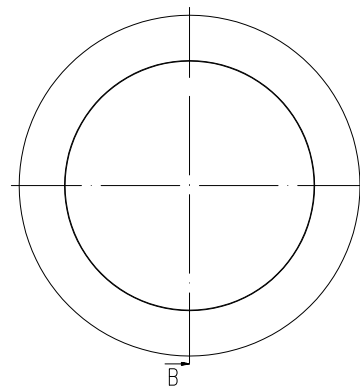
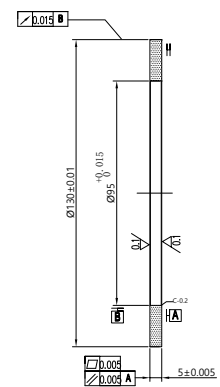
Application: For cutting Lithium battery, aluminum, film, foam, rubber, foil, graphite and so on.

NOTE: Customization available per customer drawing or actual sample



THE KNIVES FOR METAL SLITTING SLITTING

The knife is made of tungsten carbide materials, but other materials are available. Such as HSS, 9CrSi, Cr12Mo, VW6Mo5, Cr4V2, hard alloy, etc
Hardness guarantee: The raw materials are heat treated, vacuum treated, and the hardness is higher. Heat treatment in your own factory to ensure product stability.



Dimension(mm)	OD(mm)	ID(mm)	Thickness(mm)	Material
$\Phi 340 \times \Phi 225 \times 20$	340	225	20	Tungsten Carbide
$\Phi 285 \times \Phi 180 \times 5$	285	180	5	Tungsten Carbide
$\Phi 285 \times \Phi 180 \times 10$	285	180	10	Tungsten Carbide
$\Phi 250 \times \Phi 160 \times 8$	250	160	8	Tungsten Carbide
$\Phi 250 \times \Phi 145 \times 10$	250	145	10	Tungsten Carbide
$\Phi 250 \times \Phi 190 \times 15.3$	250	190	15.3	Tungsten Carbide
$\Phi 250 \times \Phi 150 \times 12$	250	150	12	Tungsten Carbide
$\Phi 250 \times \Phi 160 \times 10$	250	160	10	Tungsten Carbide
$\Phi 250 \times \Phi 110 \times 10$	250	110	10	Tungsten Carbide
$\Phi 260 \times \Phi 160 \times 10$	260	160	10	Tungsten Carbide
$\Phi 204.1 \times \Phi 127 \times 11$	204.1	127	11	Tungsten Carbide
$\Phi 160 \times 100 \times 11$	160	100	11	Tungsten Carbide
$\Phi 160 \times \Phi 90 \times 7.93$	160	90	7.93	Tungsten Carbide

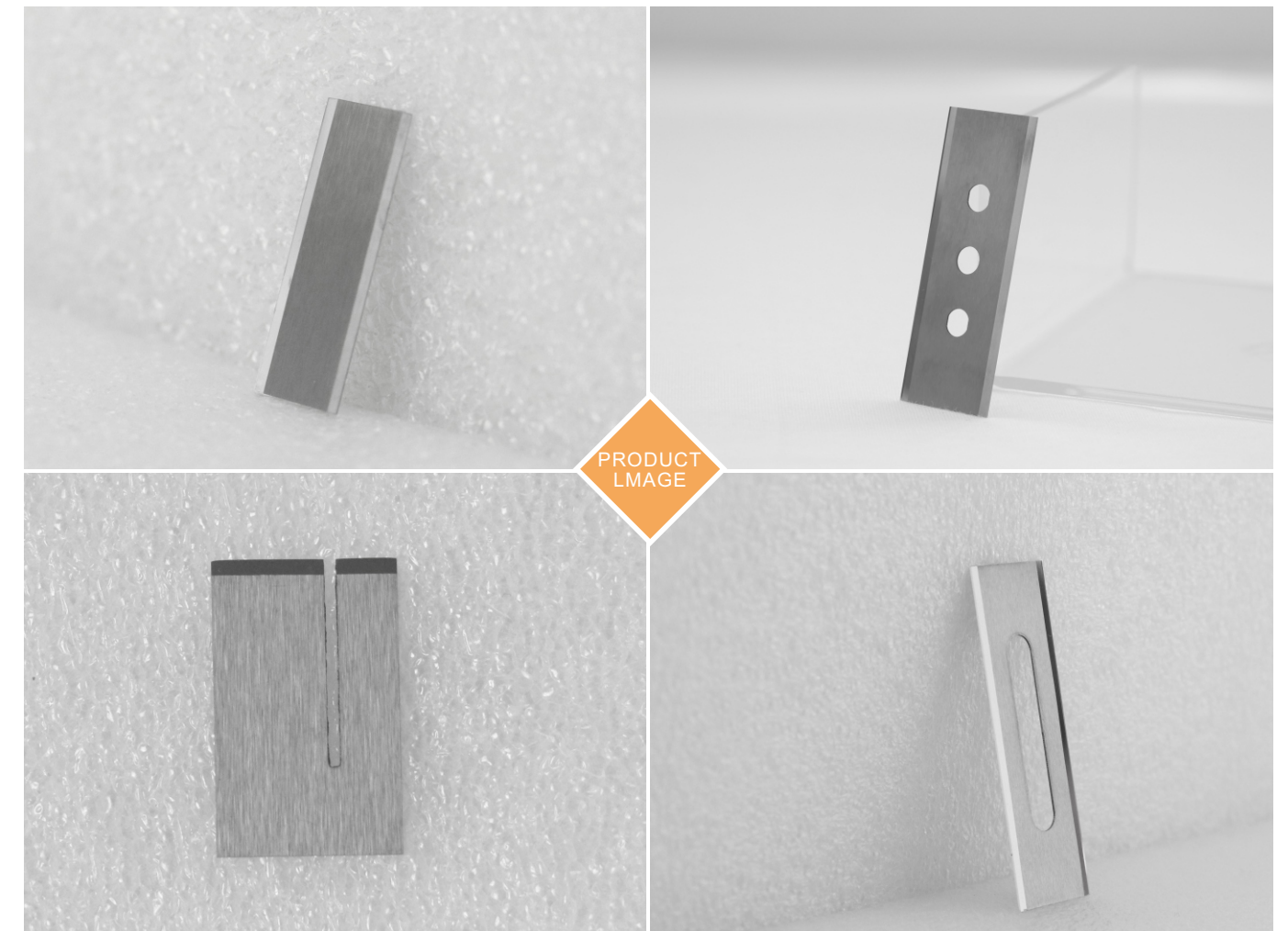
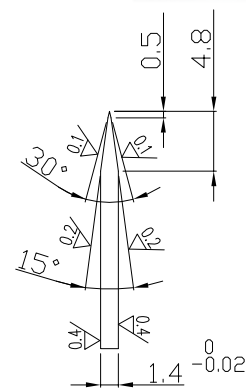
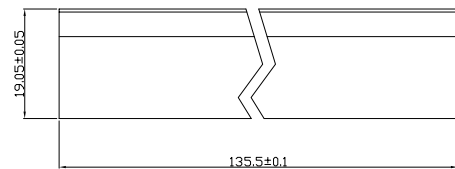
Note: Customization available per customer's drawing or sample



THIN BLADES FOR CHEMICAL FIBER INDUSTRY

Thin blades for chemical Fiber industry

Sharp edge: The knife edge is sharp, smooth, sharp and durable, imported precision processing equipment can process a variety of non-standard products to ensure the precision of the products.
Durable: Double-sided blade, low friction coefficient and long service life, each blade detects inbound shipments, ensuring quality without worry.



No.	Common Size(mm)	Material
1	193*18.9*0.884	Tungsten Carbide
2	170*19*0.884	Tungsten Carbide
3	140*19*1.4	Tungsten Carbide
4	140*19*0.884	Tungsten Carbide
5	135.5*19.05*1.4	Tungsten Carbide
6	135*19.05*1.4	Tungsten Carbide
7	135*18.5*1.4	Tungsten Carbide
8	118*19*1.5	Tungsten Carbide
9	117.5*15.5*0.9	Tungsten Carbide
10	115.3*18.54*0.84	Tungsten Carbide
11	95*19*0.884	Tungsten Carbide
12	90*10*0.9	Tungsten Carbide
13	74.5*15.5*0.884	Tungsten Carbide

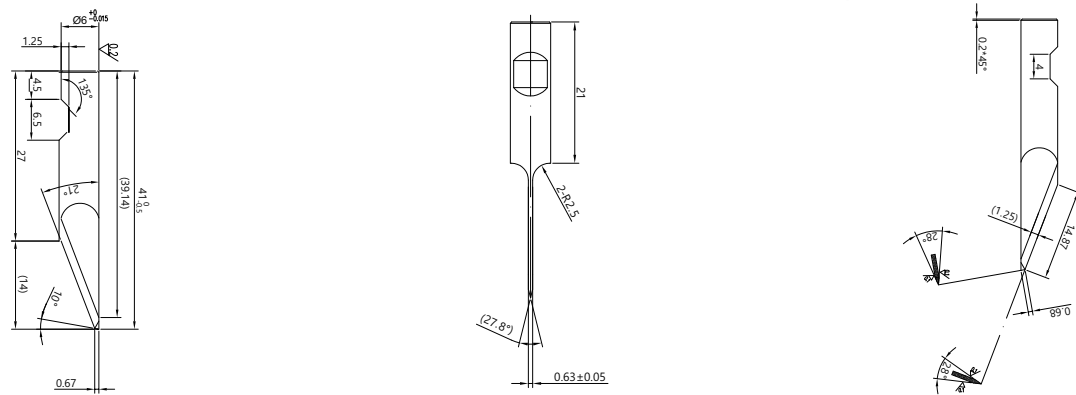
Note: Customization available per customer's drawing or sample



**BLADES FOR
CARVING**



Special carving blades for Esko



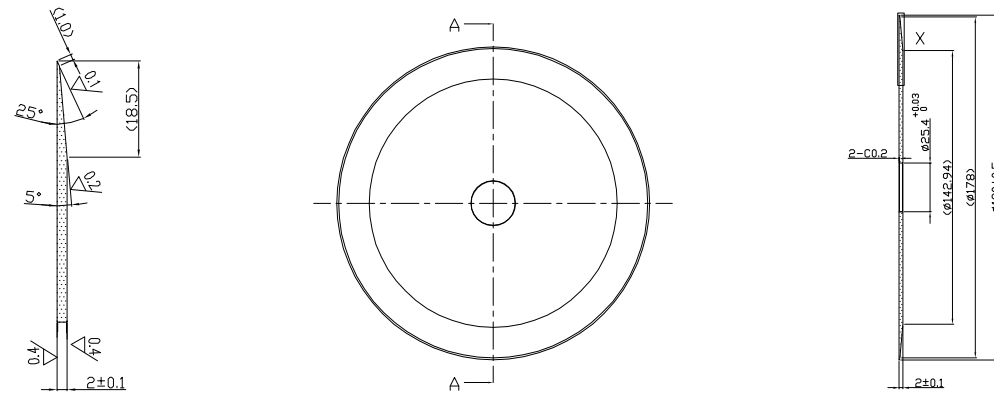
No.	Size(mm)	Material
1	Φ8*133	Tungsten Carbide
2	Φ8*48.5	Tungsten Carbide
3	Φ8*40	Tungsten Carbide
4	Φ6*133	Tungsten Carbide
5	Φ6*41	Tungsten Carbide
6	Φ6*39	Tungsten Carbide
7	Φ6*36	Tungsten Carbide
8	Φ4*22	Tungsten Carbide

Note: Customization available per customer's drawing or sample



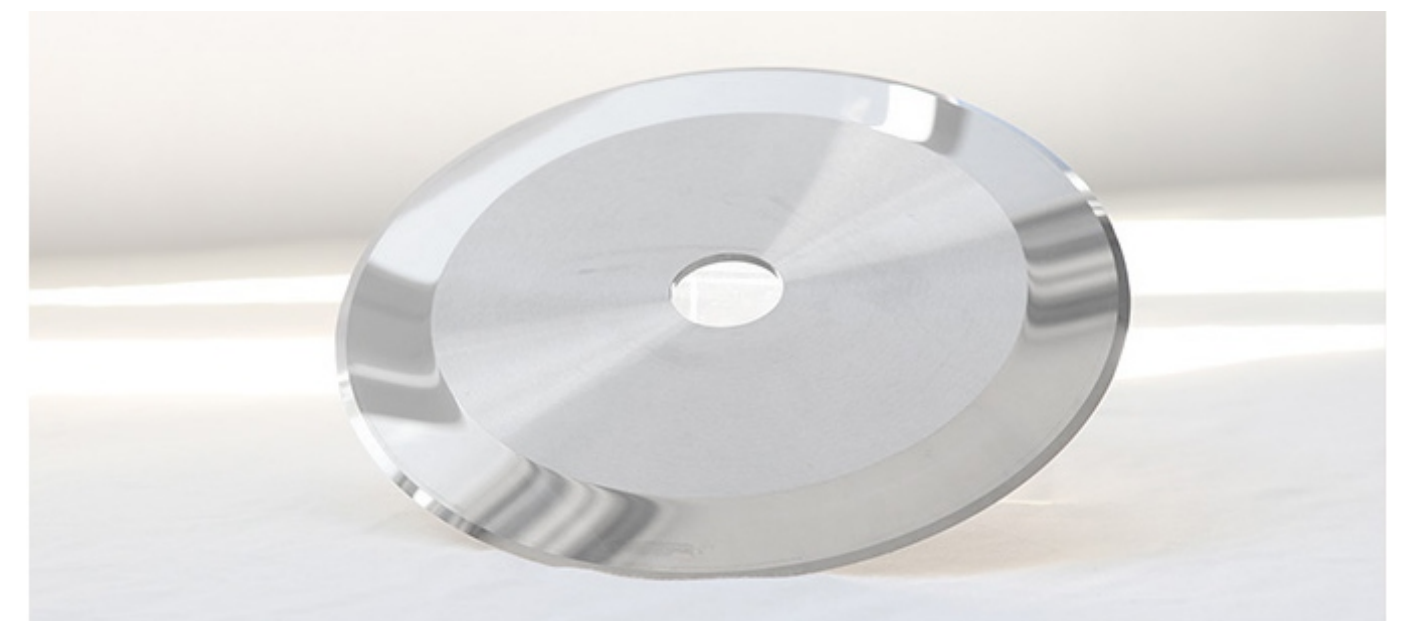
SPECIAL CIRCULAR KNIVES FOR GUMMED TAPE SLITTING

The knife is made of tungsten carbide materials, but other materials are available. Such as HSS, 9CrSi, Cr12Mo, VW6Mo5, Cr4V2, hard alloy, etc
Hardness guarantee: The raw materials are heat treated, vacuum treated, and the hardness is higher. Heat treatment in your own factory to ensure product stability.

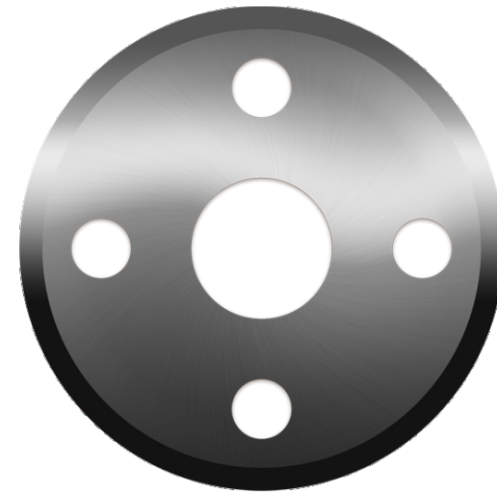


No.	Dimension(mm)	OD(mm)	ID(mm)	Thickness(mm)	Material
1	Φ150*Φ25.4*2	150	25.4	2	Tungsten Carbide
2	Φ160*Φ25.4*2	160	25.4	2	Tungsten Carbide
3	Φ180*Φ25.4*2	180	25.4	2	Tungsten Carbide
4	Φ180*Φ25.4*2.5	180	25.4	2.5	Tungsten Carbide
5	Φ200*Φ25.4*2	200	25.4	2	Tungsten Carbide
6	Φ250*Φ25.4*2.5	250	25.4	2.5	Tungsten Carbide
7	Φ250*Φ25.4*3	250	25.4	3	Tungsten Carbide
8	Φ300*Φ25.4*3	300	25.4	3	Tungsten Carbide

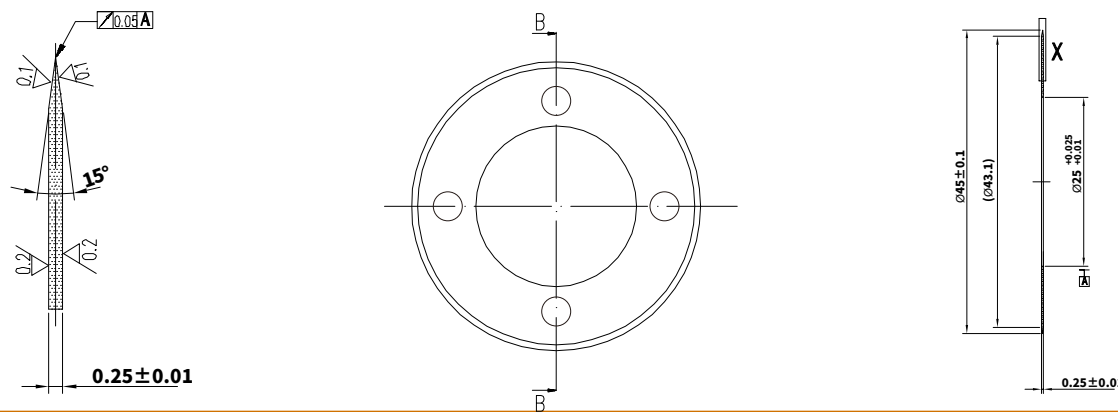
Note: Customization available per customer's drawing or sample



CIRCULAR KNIVES FOR OTHER INDUSTRIES

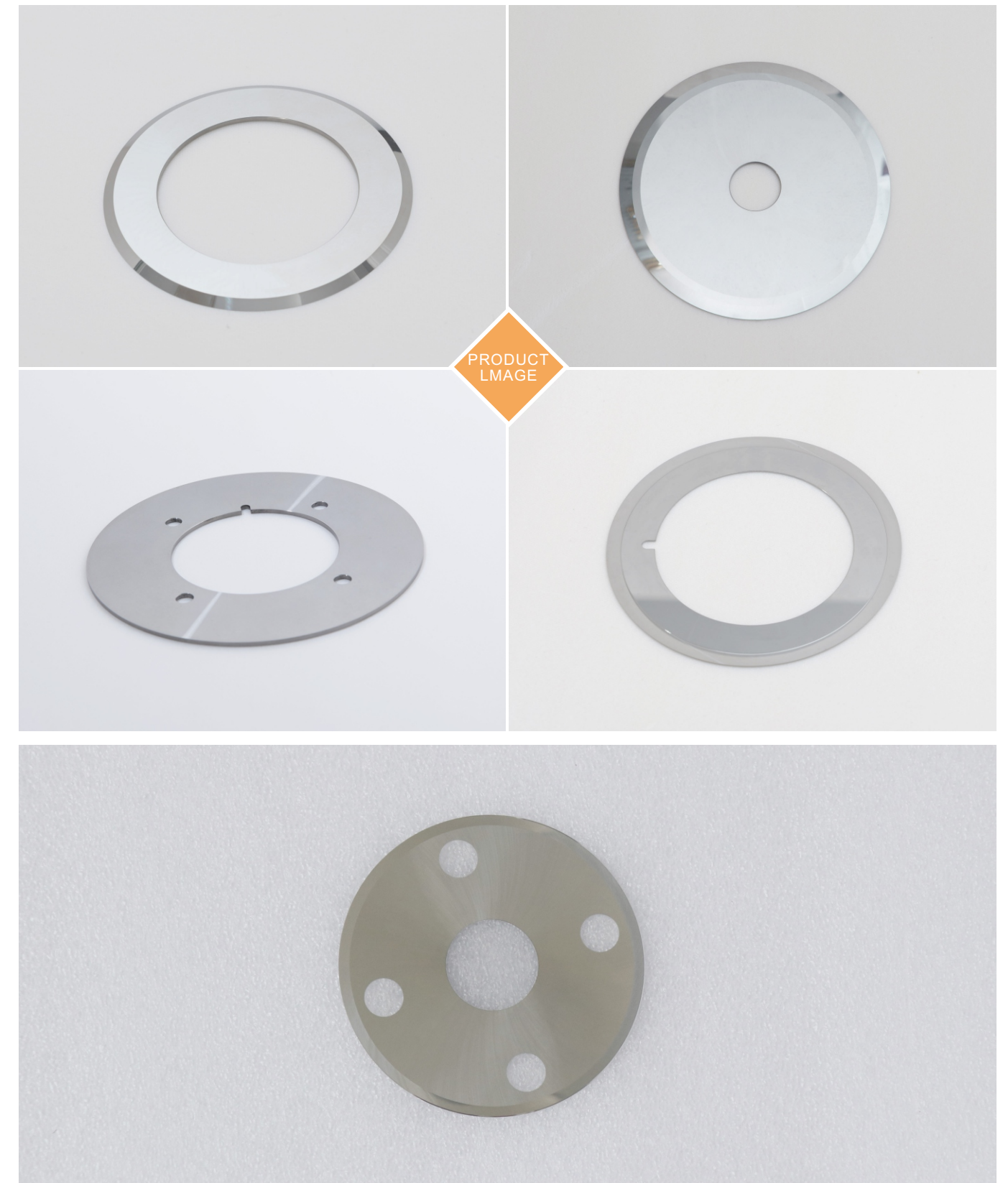


Circular knives for cutting thin film, optical fiber, asbestos tile, copper foil, aluminium foil, meat, etc.

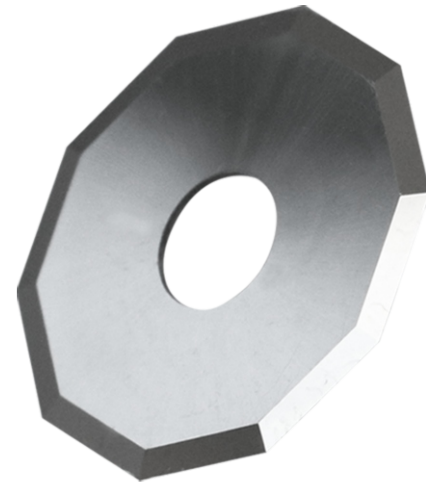


No.	Size(mm)	Material
1	Φ20*4*2	Tungsten Carbide
2	Φ45*8*0.3	Tungsten Carbide
3	Φ45*25*0.25	Tungsten Carbide
4	Φ50*20*0.3/0.5	Tungsten Carbide
5	Φ75*20*0.25	Tungsten Carbide
6	Φ80*20*0.3/0.5	Tungsten Carbide
7	Φ90*60*1	Tungsten Carbide
8	Φ150*Φ32*1	Tungsten Carbide
9	Φ180*Φ40*2	Tungsten Carbide
10	Φ300*Φ160*3	Tungsten Carbide
11	Φ300*Φ210*3	Tungsten Carbide

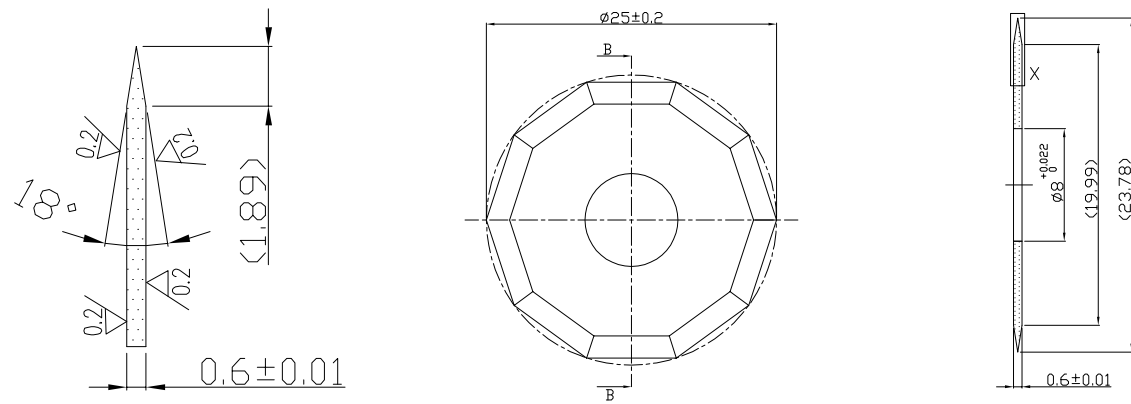
Note: Customization available per customer's drawing or sample



ZUND BLADE



The knife is made of tungsten carbide materials, but other materials are available. Such as HSS, 9CrSi, Cr12Mo, VW6Mo5, Cr4V2, hard alloy, etc
Hardness guarantee: The raw materials are heat treated, vacuum treated, and the hardness is higher. Heat treatment in your own factory to ensure product stability.



No.	Size(mm)	No.	Size(mm)	Material
1	17.27*6.35*0.97	1	16*8*0.5	Tungsten Carbide
2	17.48*6.35*1.02	2	18.5*11.7*0.5	Tungsten Carbide
3	25*4*0.6	3	38.1*8*0.254	Tungsten Carbide
4	25*5.5*0.64	4	43*22*0.15/0.2/0.3/0.4	Tungsten Carbide
5	25*8*0.6	5	45*19*0.8	Tungsten Carbide
6	28*4*0.63	6	57.05*19*0.5*0.4	Tungsten Carbide
7	28*5.5*0.65	7	108.08*18*0.4	Tungsten Carbide
8	28.1*6.25*0.6	8	110*18*0.5	Tungsten Carbide

Note: Customization available per customer's drawing or sample

